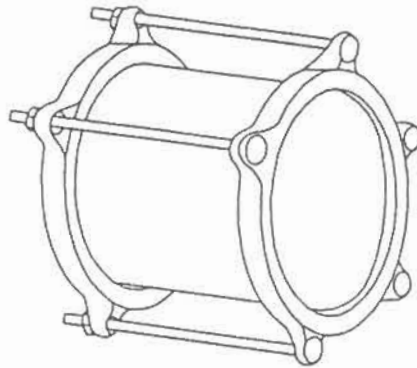
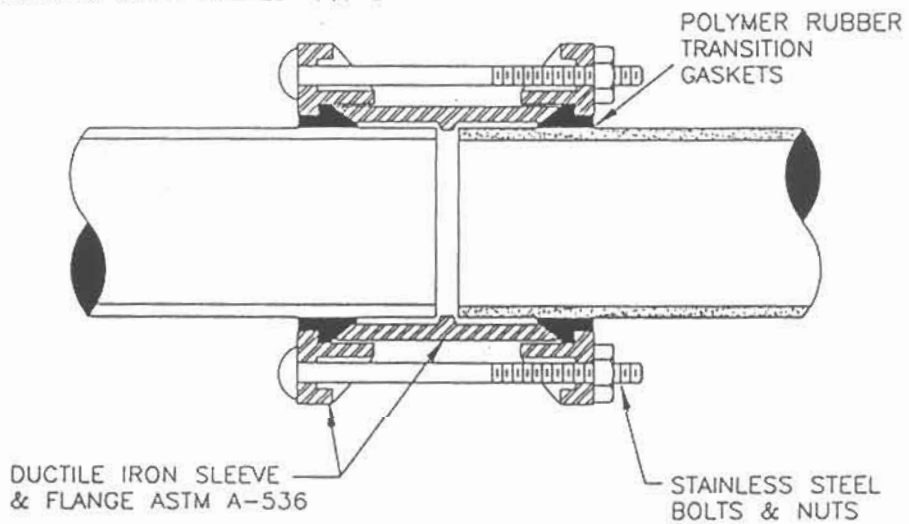


JOINS CAST IRON, DUCTILE IRON, ASBESTOS-CEMENT, C-900  
BY MECHANICAL JOINT COMPRESSION PRINCIPAL

ALL THREADED RODS AND NUTS WILL BE STAINLESS STEEL



JCM INDUSTRIES, INC.  
212 DUCTILE IRON TRANSITION  
COUPLING OR APPROVED EQUAL



DUCTILE IRON TRANSITION COUPLING	SCALE: N.T.S.
	DATE: _____
	CHK: _____
	DWG # C-6