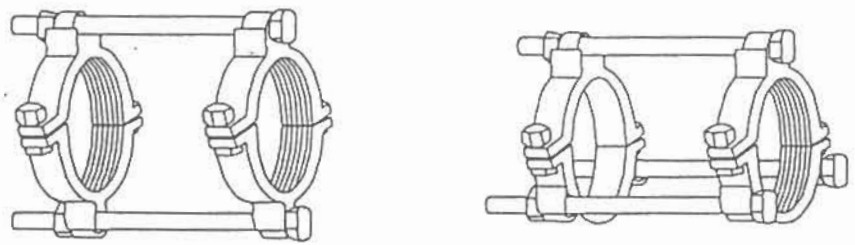
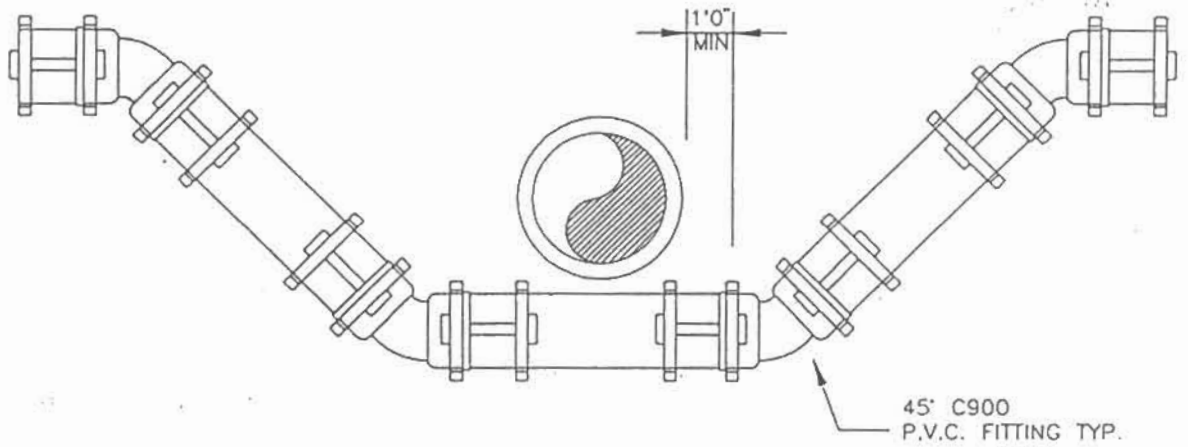


RESTRAINT SYSTEM FOR PUSH ON
P.V.C. FITTINGS & PIPING
SIZE AND TYPE AS SPECIFIED ON PLAN
ALL THREADED RODS AND NUTS WILL BE STAINLESS STEEL



RESTRAINT DETAIL FOR ADJUSTING
PVC PRESSURE LINE DUE TO CONFLICTS

PVC PRESSURE LINE CONFLICT ADJUSTMENT (FITTINGS)	SCALE: N.T.S.
	DATE:
	CHK:
	DWG #: C-7