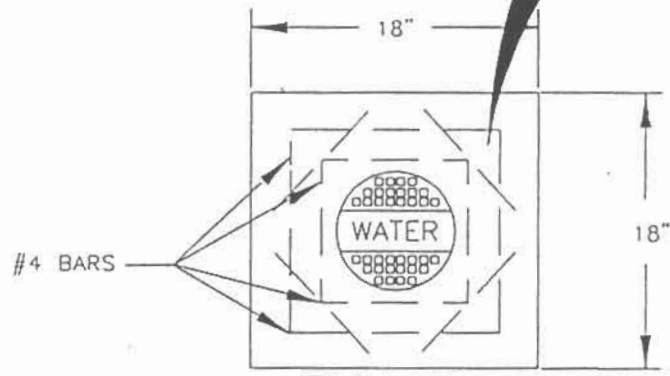


SIZE OF VALVE
 VALVE TYPE
 NO. OF TURNS & DIRECTION
 TO OPEN.
 VALVE M.F.G. & YEAR INST.
 SYSTEM "WATER" "SEWER"
 OR REUSE.

BRASS PLATE



PLAN VIEW
 (VALVE PAD)

18" SQ. X 4" THK. CONC. PAD
 SURROUNDING BOX, MIN.
 3,000 P.S.I.

SET TOP OF BOX FLUSH
 WITH FINISHED GRADE

CAST IRON DROP COVER
 MARKS "WATER" "SEWER"
 OR "REUSE"

BRASS PLATE FINISHED GRADE

HEAVY DUTY TRAFFIC BEARING
 CAST IRON VALVE BOX, OPELIKA
 FOUNDRY COMPANY, TYLER PIPE
 DIVISION OR APPRVD EQUAL

EXTENSION ROD W/2"
 OPERATING NUT AS REQUIRED
 DUAL DISK ON EXTENSION ROD

RISER NOT TO BEAR
 ON VALVE OR PIPE

MAIN
 (SEE PLAN FOR SIZE)

EXISTING MAIN

MJ REPAIR SLEEVE WITH RESTRAINTS.

AWWA C509 VALVE

3/4" GRANULAR MATERIAL

MJ VALVE WITH RESTRAINTS
 IN ALL NEW CONSTRUCTION.

30" MAX.

30" MIN.

(2) #4 BARS EA. SIDE
 COMPACTED SUITABLE
 EARTH BACKFILL

ONE CUBIC FOOT HAND
 COMPACTED GRAVEL
 FOR DRAIN

MJ REPAIR SLEEVE WITH RESTRAINTS

EXISTING MAIN

NOTE - WHEN INSTALLING A VALVE
 IN AN EXISTING MAIN, USE TWO
 REPAIR SLEEVES (MJ FOR DIP, OR
 PVC FOR PVC MAINS) ONE AT
 EACH END OF THE CUT.

VALVE

PRECAST CONCRETE PAD
 2" x 8" x 16"

VALVE INSTALLATION	SCALE: N.T.S.
	DATE:
	CHK:
	DWG #: W-13