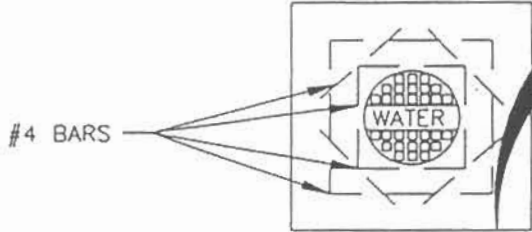


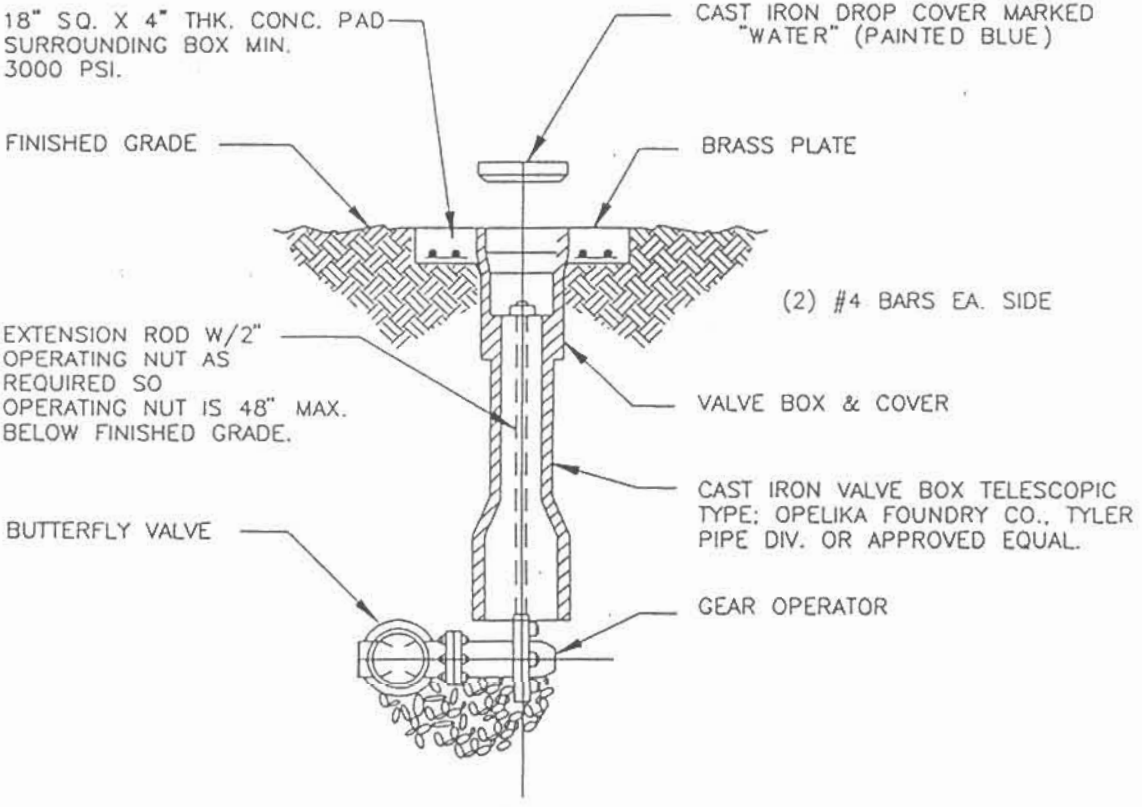
COVER
 WATER-BLUE
 FIRE-RED
 SEWER-BROWN
 REUSE-ORANGE

SIZE OF VALVE
 TYPE OF VALVE
 NO. OF TURNS & DIRECTION
 TO OPEN
 VALVE MFG & YEAR INST.
 SYSTEM "WATER" "SEWER"
 OR "REUSE"

BRASS PLATE



PLAN VIEW
 (VALVE PAD)



BUTTERFLY VALVE

BUTTERFLY VALVE INSTALLATION	SCALE: N.T.S.
	DATE: 11/10/83
	CHK:
	DWG #: W-7